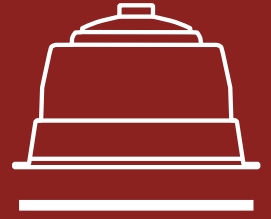


SUPERA LIGHT COFFEE

COMPATIBLE WITH **DOLCE GUSTO®** SYSTEM

MOULDED IN POLYPROPYLENE,
THE EASIEST MATERIAL TO HANDLE



Recommended with
COFFEE BEVERAGES

PATENTED
BOTTOM
DESIGN



Guala *dispensing*
▲ FOOD

SUPERA LIGHT COFFEE

COMPATIBLE WITH
DOLCE GUSTO® SYSTEM



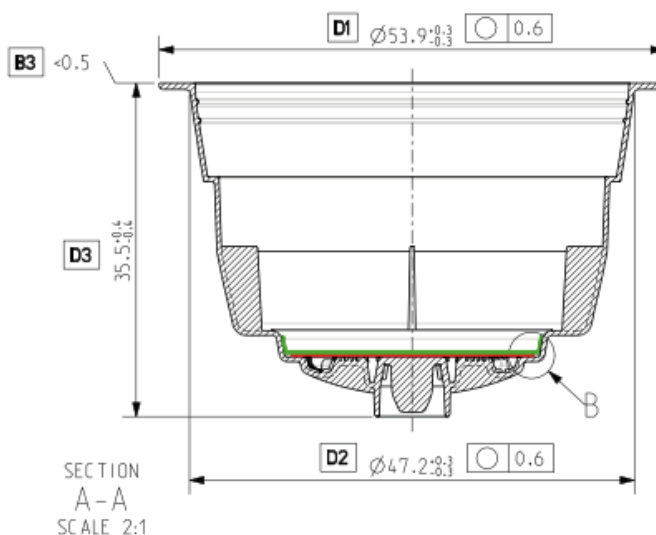
SUPERA LIGHT COFFEE THE CHOICE

- Lighter weight due to less material used
- Best choice to achieve costs savings in logistics and supply chain
- High degree in compatibility with coffee machines
- Patented bottom design ensures a better brewing
- Recommended with coffee beverages

SUPERA LIGHT COFFEE IN DETAILS

- PP material, no barrier
- Compatible with DOLCE GUSTO® machines*
- Weight 3g
- Internal volume below step 21,8cc
- Packaging details:
63.936 pcs/pallet, 2.664 pcs/box
stacked capsules

SUPERA LIGHT COFFEE DIMENSION



* MINI ME - COLORS - GENIO S - PICCOLO - PICCOLO XS - LUMIO - INFINISSIMA

Guala dispensing
▲ FOOD

BISIO PROGETTI S.p.A. con socio unico
Via Enzo Ferrari, 49 - 15121 Alessandria (IT)
Zona Industriale D3

Tel. +39 0131 244 411 / Fax +39 0131 244 466
info@bisioprogetti.it

www.bisioprogetti.it