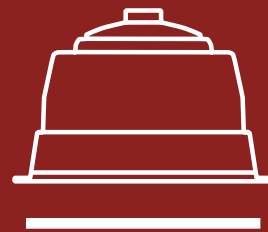


SUPERA COFFEE

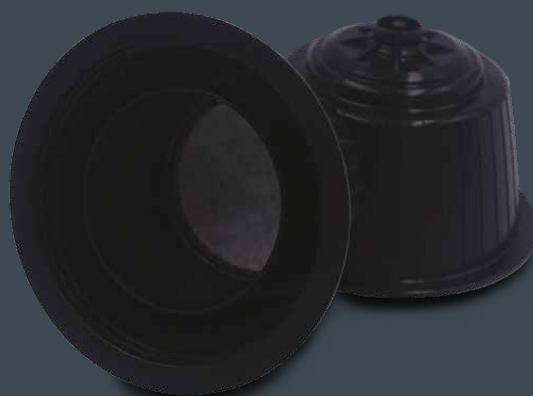
COMPATIBLE WITH
DOLCE GUSTO® SYSTEM



**MOULDED IN POLYPROPYLENE,
THE EASIEST MATERIAL TO HANDLE**



Recommended with
COFFEE



PATENTED
BOTTOM
DESIGN

Guala *dispensing*
▲ FOOD

SUPERA COFFEE

COMPATIBLE WITH
DOLCE GUSTO® SYSTEM



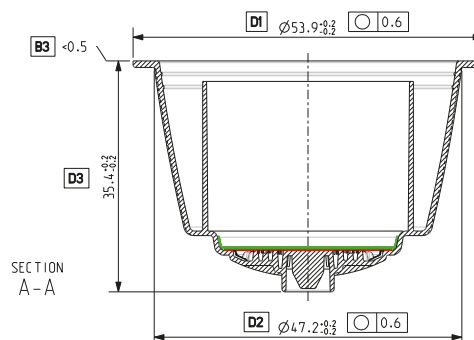
SUPERA COFFEE THE CHOICE

- Moulded in Polypropilene, the easiest material to handle
- Low operational and investment costs
- High degree in compatibility with coffee machines
- Patented bottom design ensures a better brewing
- Recommended with coffee

SUPERA COFFEE IN DETAILS **SUPERA COFFEE STANDARD DIMENSION**

STANDARD VERSION

- PP material, no barrier
- Weight 5,6 g
- Compatible with NESCAFÉ®
Dolce Gusto® machines (hot setting)
- Internal volume 19,2 cc
- Packaging details:
22.500 pcs/pallet, 1.500pcs/box



SUPERA COFFEE IN DETAILS **SUPERA COFFEE STEP DIMENSION**

STEP VERSION

- PP material, no barrier
- Weight 4,2 g
- Compatible with NESCAFÉ®
Dolce Gusto® machines (hot setting)
- Internal volume 20,5 cc
- Packaging details:
30.000 pcs/pallet, 2.000pcs/box

