

Model GD



Oxygen barrier capsule for coffee and solubles



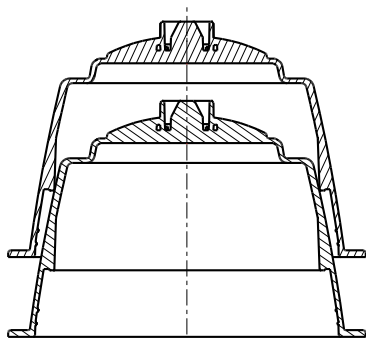
**Fill our capsule
with your product!**

The new 54 mm diameter compatible capsule for coffee and long drinks with a unique and patented opening system. It is available in two different versions for coffee and solubles

***Bisio*progetti**
— a Guala Group company —

Model GD

Oxygen barrier capsule for coffee and solubles



BEVERAGE APPLICATIONS:

- Coffee
- Milk
- Soluble drinks
- Liquid products
- ...anything you want

Unique and patented capsule opening system

- It works in any standard dispensing machine
- Two designs were studied to accommodate either coffee or other beverage, as shown

The future in
dispensing has
arrived!

Bisioprogetti
— a Guala Group company —

Bisio Progetti S.p.A.
Via Enzo Ferrari, 49
Zona Industriale D3
15121 Alessandria Italy
Tel. +39 0131 244411
Fax +39 0131 244466
www.bisioprogetti.it
e-mail: info@bisioprogetti.it